

Lever Hoist

FEATURES AND BENEFITS

Overload Protection

This is standard on all hoists and is factory set. The overload is integral with the hoist and prevents the operator from overloading the hoist. When activated, the overload will not allow hoist operation. When the overload is activated, lower the load, if lifting, or release the load, if pulling. Then select a larger capacity hoist, or consult a lifting specialist for another means of operation.

Minimal Load Lifting Effort

These hoists require **20% - 30% less effort** than the competition. Lift heavy loads with ease. Ideal for frequent lifting/pulling applications.

Fully Enclosed Gearing

This protects the gears from contamination and debris.

All Steel Construction

These hoists are strong, durable and rugged, providing a long and dependable service life.

Malleable Hooks with Cast Steel Safety Latches

These hooks open when overloaded, thus providing the operator with a hook load reference point. Each heavy duty cast steel safety latch has a bolt and lock nut connection rather than roller pins used by most competitors. This feature facilitates changing latches in the field.

Weather Proof Load Holding Brake

Both hoists have a protected Weston Brake which holds the load during the entire operation. The hoists are also equipped with a unique twin pawl design.

All Gears and Shafts Run on Roller Bearings

This feature provides smooth controlled operation as well as maintenance free lubrication.

Stainless Steel Riveted ID Tags

These tags will not rust and will maintain clear distinct information for easy identification.

Safety Yellow Powder Coating

This process provides a long lasting finish in hostile environments.

Maintenance

Hoists can be quickly disassembled for fast and easy maintenance.

Certification

Each hoist is load tested and comes with a serial number and test certificate dedicated to each hoist. This provides complete traceability throughout the manufacturing process.



Lever Hoist with overload protection

FEATURES AND BENEFITS

Free Wheel Feature - When not under load, the operator can disengage the gearing by positioning the selection switch to the center position. This allows for a quick adjustment of chain for faster operation.

Machined Lift Wheel - This wheel perfectly accepts the chain allowing for a smooth long lasting operation.

Pull Handle / Safety Chain Stop - When not under load, this feature allows for quick disengagement of gearing, which allows for fast movement of the load hook. The safety chain stop is designed to hold the load in the event that the entire load chain is transmitted through the hoist.

360 Degree Handle Rotation - This allows the operator to work in confined spaces.

Corrosion Protection - Hoist components are powder coated to prevent corrosion. Product I.D. labels are made from stainless steel.

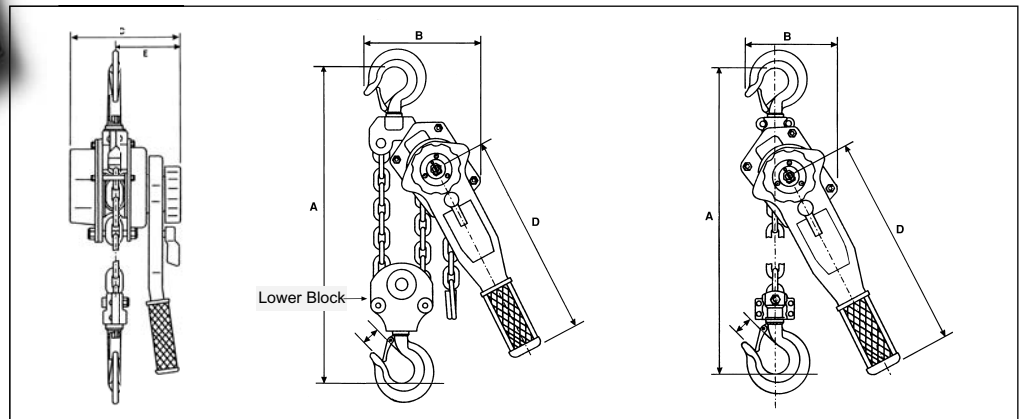
Fully Enclosed Lift Wheel - This maintains smooth operation while distributing the load over more links of chain. It also helps keep debris from contaminating the lift wheel and self cleans the chain as it enters the wheel.

Steel Handle with Rubber Grip - This handle provides a non slip, sure grip, surface.

Cast Steel Hand Wheel - Rotates to allow positive load chain positioning.

Lower Block - Included with multistrand hoists.

DIMENSIONS (0.75, 1.5, 3, 6, and 9 tons)



SPECIFICATIONS (0.75, 1.5, 3, 6, and 9 tons)

Product Code	OZ075LHOP	OZ150LHOP	OZ300LHOP	OZ600LHOP	OZ900LHOP	
Safe Working Lift (tons)	0.75 (t)	1.5 (t)	3 (t)	6 (t)	9 (t)	
Headroom (inches)	12.79 (in)	14.96 (in)	18.90 (in)	24.41 (in)	27.56 (in)	
Effort on lever to lift full load (pounds)	30.86 (lbs)	48.50 (lbs)	70.55 (lbs)	74.96 (lbs)	79.37 (lbs)	
Number of Load Chain Falls	1	1	1	2	3	
Diameter of Load Chain (millimeters)	6 (mm)	8 (mm)	10 (mm)	10 (mm)	10 (mm)	
Length of Lever Handle (inches)	11.02 (in)	16.14 (in)	16.14 (in)	16.14 (in)	16.14 (in)	
Dimensional Information (inches)	A	12.79 (in)	14.96 (in)	18.89 (in)	24.40 (in)	27.55 (in)
	B	5.35 (in)	6.29 (in)	7.08 (in)	9.25 (in)	12.44 (in)
	C	5.82 (in)	6.77 (in)	7.87 (in)	7.87 (in)	7.87 (in)
	D	11.02 (in)	16.14 (in)	16.14 (in)	16.14 (in)	16.14 (in)
	E	3.54 (in)	3.85 (in)	4.52 (in)	4.52 (in)	4.52 (in)
Hook-opening, upper & lower (inches)	1.18 (in)	1.41 (in)	1.57 (in)	1.96 (in)	2.28 (in)	
Net Weight of Head Only (pounds)	12 (lbs)	20 (lbs)	36 (lbs)	51 (lbs)	67 (lbs)	



Pull Handle
Safety Chain Stop

